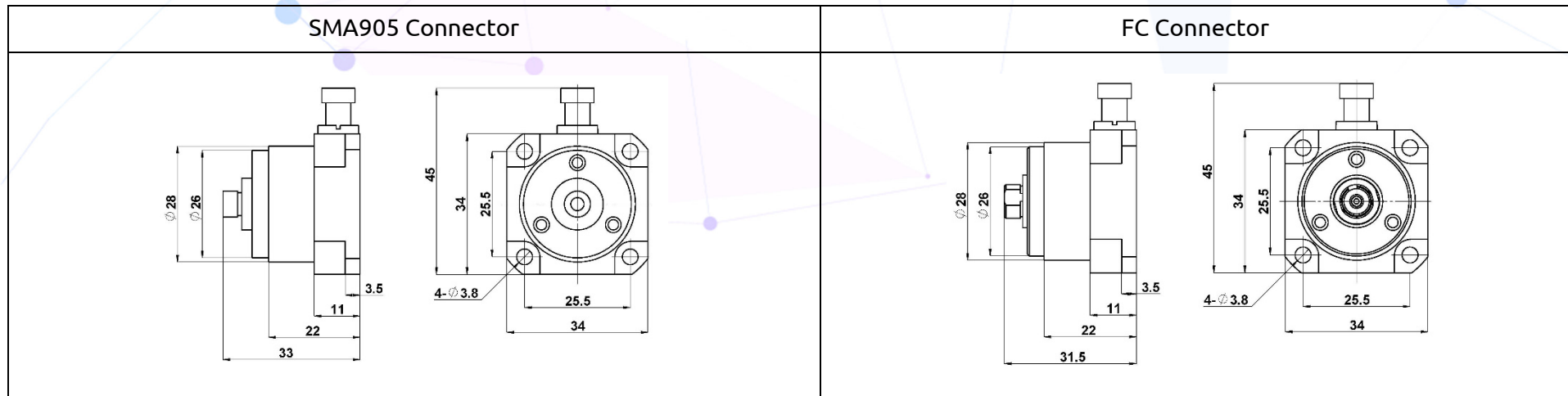


# VG-4 FIBER COUPLER



Model	VG-4-4SD-BOD	VG-4-6-OT	VG-4-11
Focal length of the lens (mm)	f=4.05 Aspheric	f=6 Biconvex	f=11 Plano-convex
Suitable beam diameter (mm)	0.75-0.9	1.4-1.5	<5
Wavelength range (nm)	400-700	700-1600	200-1600
Fiber type	SM		MM
Connector	FC		FC/SMA905
Suitable laser model	DS、U、FN		
Optional functions	Attenuation of power		

Phanos provides fiber couplers for all our existing lasers, with optional single-mode (SM) or multi-mode (MM) fiber types. These couplers are designed to connect the fiber to the laser, improving fiber coupling efficiency.



Note: Specifications subject to change without notice.