

GA-1030-Short

HIGH FREQUENCY ALL FIBER PULSED LASER

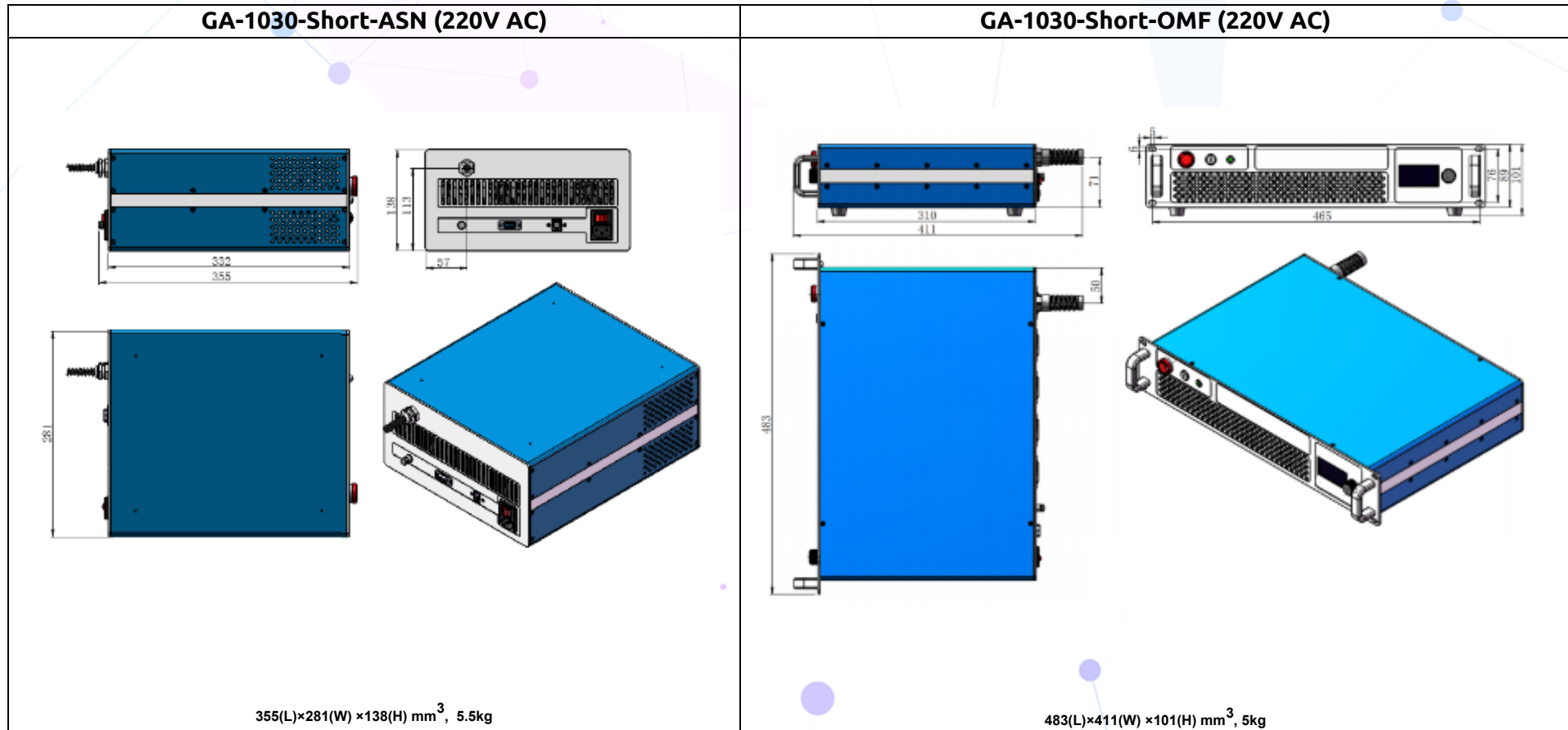


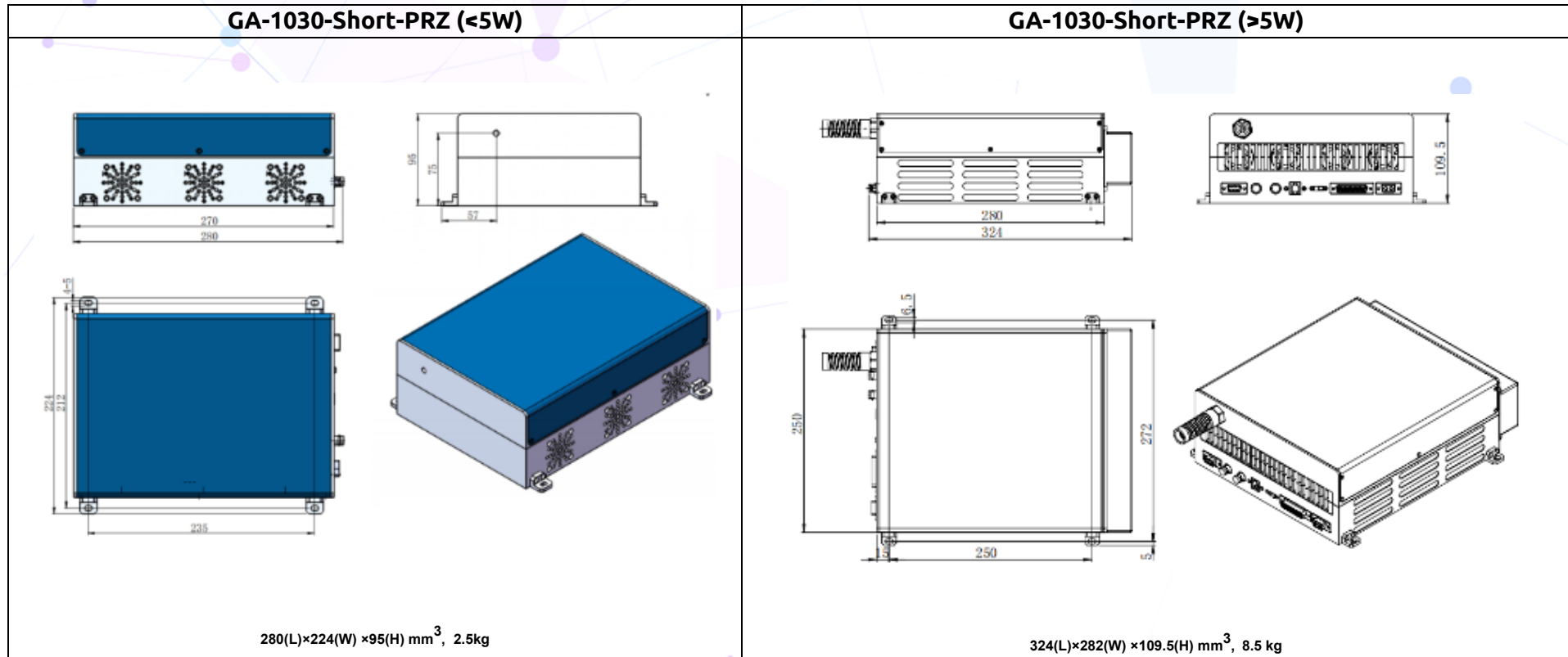
Wavelength (nm)	1030±1		
Operating mode	Pulsed		
Output power (W)	0.5-10 (variable, but not suitable for OEM type)		
Power stability (rms, over 4 hours)	<2%, <3%		
Pulse width(ns)	0.5-5	5-100	100-250
	variable, but not suitable for OEM type		
M² factor	<1.8		
Repetition frequency (KHz)	100-1000 (variable, but not suitable for OEM type)		
Polarization ratio	Random / > 15dB		
Warm-up time (minutes)	<15		
Delivery cable length(m)	variable		
Operating temperature (°C)	15~35		
Power supply	220V AC / 12V DC		
Expected lifetime (hours)	10000		
Warranty	1 year		

Product Drawings | GA-1030-Short

HIGH FREQUENCY ALL FIBER PULSED LASER

The high-frequency, all-fiber pulsed laser at 1030 nm features high output power stability, a good beam profile, an ultra-compact design, long lifetime, low cost, and easy operation. It is widely used in applications such as laser radar, life sciences, material processing, microelectronics, and scientific research.





Note:

Specifications subject to change without notice.