

GA-1064-D

ALL FIBER PULSED LASER

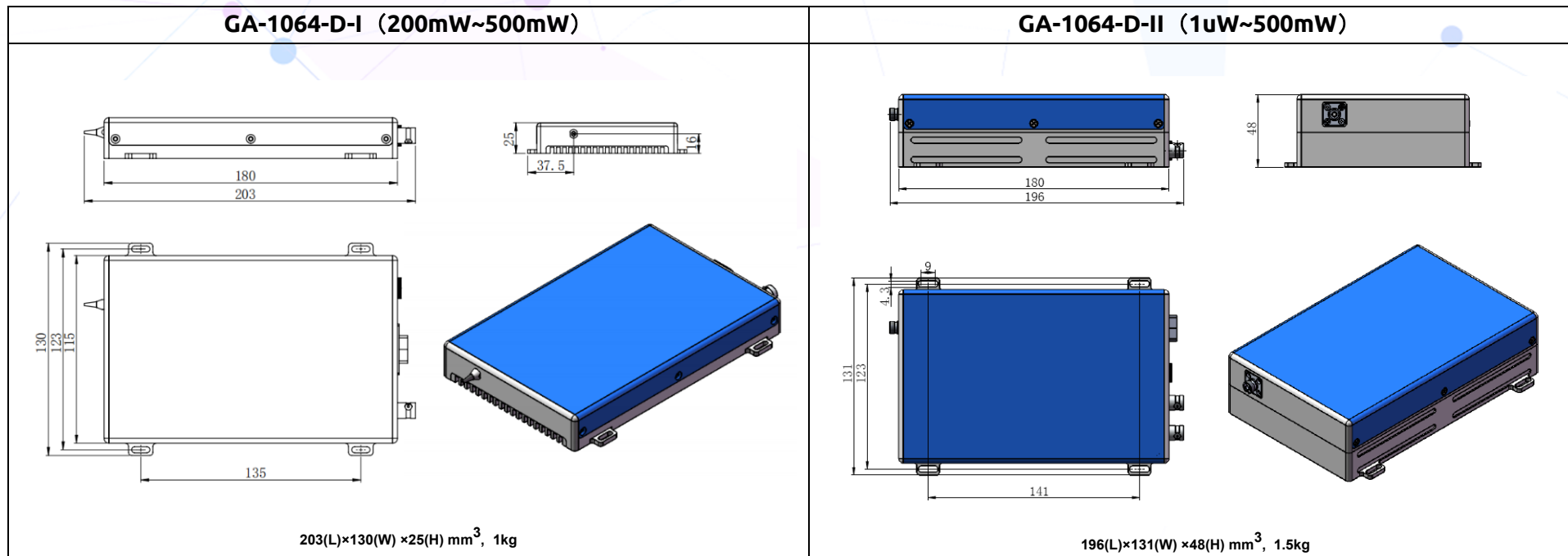
Phanos Scientific
office@phanosci.com
www.phanossci.com



WE BRING TOMORROW'S
TECHNOLOGY. TODAY!

Wavelength (nm)	1064±1
Operating mode	Pulsed
Peak power (mW)	1uW~500mW
Power stability (rms, over 4 hours)	<1%, <3%
Pulse width(ns)	5ns-100ns (adjustable)
M² factor	<1.2
Repetition frequency(Hz)	1Hz-100KHz, 1Hz-10MHz(adjustable)
Polarization ratio	Random/>15dB
Warm-up time (minutes)	<1
Delivery cable length(m)	variable
Operating temperature (°C)	15~35
Power supply	12V DC
Expected lifetime (hours)	10000
Warranty	1 year

The high-frequency all-fiber pulsed laser at 1064 nm features high peak power stability, an excellent beam profile, ultra-compact design, long lifetime, low cost, and ease of operation. It is widely used in applications such as laser radar, life sciences, microelectronics, gas detection, scientific research, and optical simulation.



Note:
Specifications subject to change without notice.