

# ZFA-F-445-447-450-PRZ/4-6W

## OEM BLUE DIODE LASER

### AT 445/447/450nm



Phanos Scientific  
office@phanosci.com  
www.phanossci.com

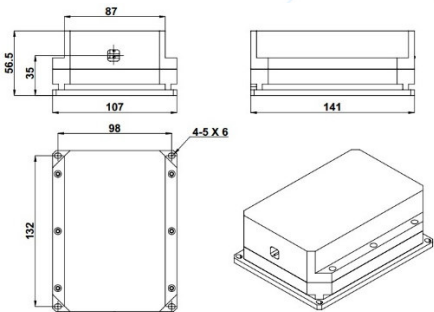


WE BRING TOMORROW'S  
TECHNOLOGY. TODAY!

<b>Central wavelength (nm)</b>	445±5/ 447±5/ 450±5
<b>Operating mode</b>	CW
<b>Output power (mW)</b>	>4000, 5000, 6000
<b>Power stability (rms, over 4 hours) at 25°C</b>	<1%, <2%, <3%
<b>Polarization direction</b>	Horizontal+ Vertical
<b>Beam diameter at the aperture (mm)</b>	~3.2×3.2
<b>Beam divergence, full angle (mrad)</b>	~1.4×0.2
<b>Warm-up time (minutes)</b>	<5
<b>Beam height from base plate (mm)</b>	35
<b>Operating temperature (°C)</b>	25+/-3
<b>Driver (12VDC 15A)</b>	QDI-QM7-PRZ/ QDI-QM7-PRZ-J
<b>TTL / Analog modulation</b>	TTL or Analog with 1Hz-1kHz 1kHz-10kHz, 10kHz-30kHz optional
<b>Expected lifetime (hours)</b>	10000
<b>Warranty</b>	1 year

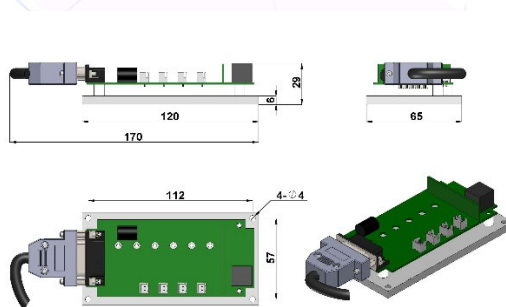
This laser features an ultra-compact design, long operational life, cost-effectiveness, and ease of operation. It is widely used in applications such as measurement, communication, and spectrum analysis.

## ZFA-F-445/447/450-PRZ



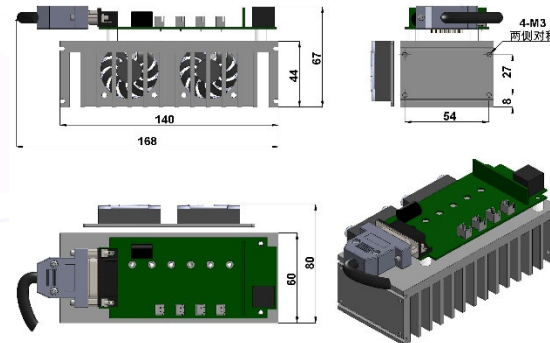
141(L)×107(W)×56.5(H)mm<sup>3</sup>, 2.2kg

## QDI-QM7-PRZ



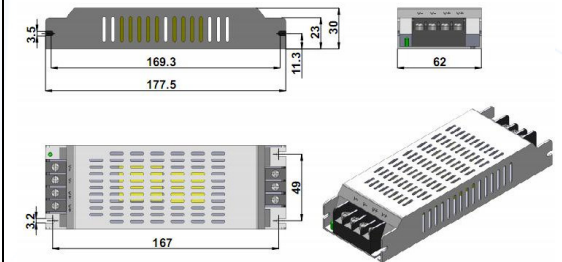
120(L)×65(W)×29(H) mm<sup>3</sup>, 0.3kg

## QDI-QM7-PRZ-J



140(L)×80(W)×67(H) mm<sup>3</sup>, 0.6 kg

## Accessory (Power supply 100-240VAC)



177.5(L)×62(W)×30(H) mm<sup>3</sup>, 0.5kg

Note:

Specifications subject to change without notice.