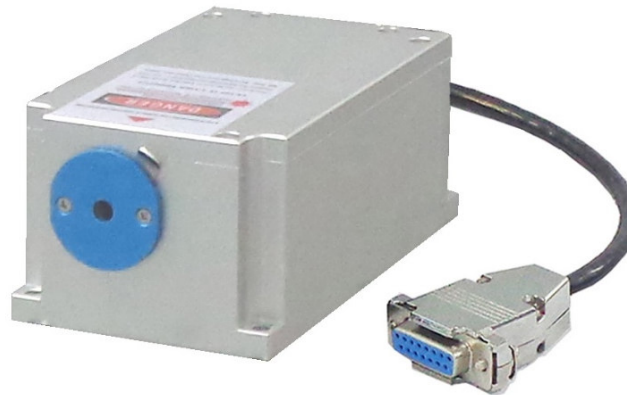


ZFA-V-830

LONG COHERENT LENGTH DIODE LASER AT 830nm



Phanos Scientific
office@phanosci.com
www.phanosci.com



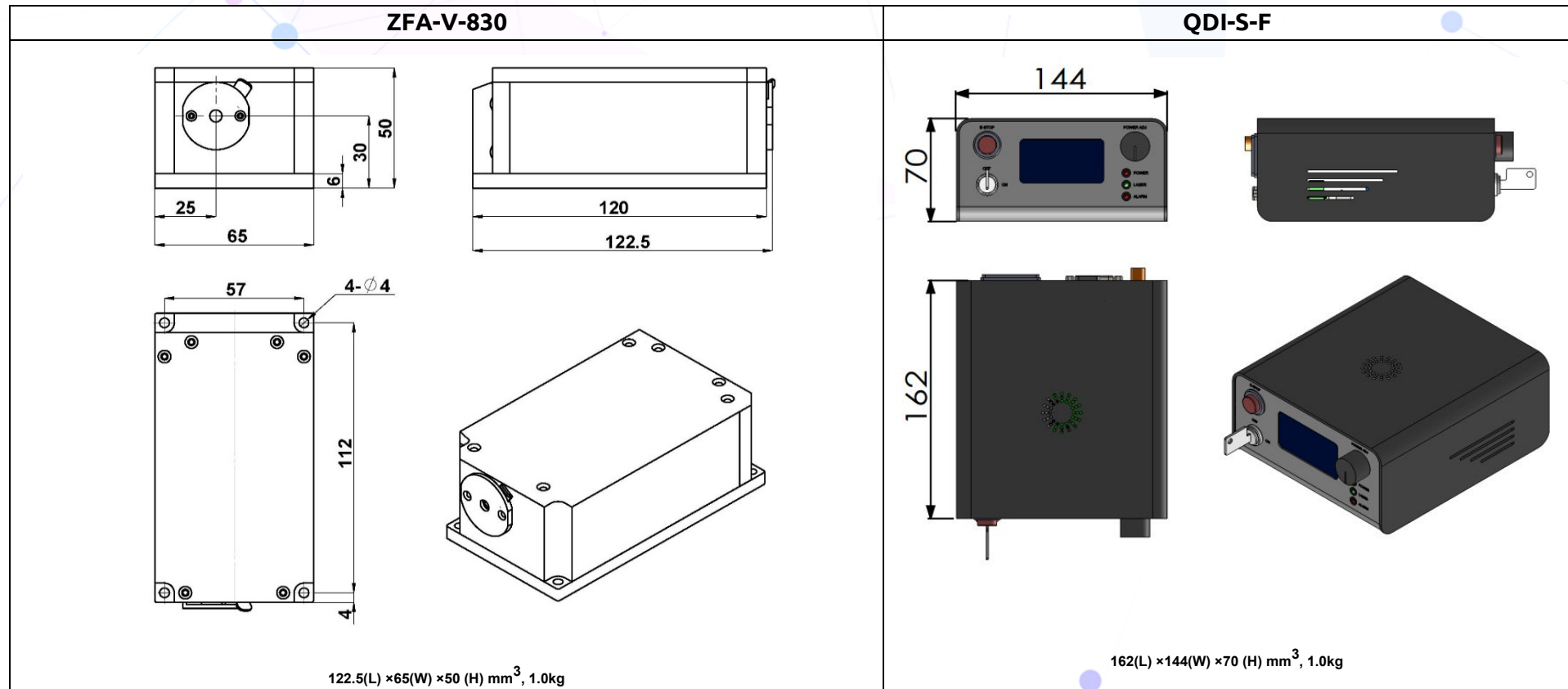
WE BRING TOMORROW'S
TECHNOLOGY. TODAY!

Central wavelength (nm)	830±0.5
Operating mode	CW
Output power (mW)	>1, 2, 3, ...,30
Power stability (rms, over 4 hours)	<3%, <2%, <1%
Transverse mode	Near TEM ₀₀
Coherent length (m)	>1
M ² factor	<1.5
Beam diameter at the aperture (1/e ² , mm)	~3.5
Beam divergence, full angle (mrad)	<1.5
Polarization ratio	>10:1 (>50:1, optional) Horizontal±5 degree (Vertical Optional)
Warm-up time (minutes)	<5
Beam height from base plate (mm)	30
Operating temperature (°C)	20~30
Power supply (100-240VAC)	QDI-S-F
Expected lifetime (hours)	10000
Warranty	1 year

Product Drawings | ZFA-V-830

LONG COHERENT LENGTH DIODE LASER

This laser features a long coherent length, stable wavelength, extended operational lifetime, and user-friendly operation. These features make it widely applicable in holography, interference, fluorescence, photoetching, flow cytometry, DNA sequencing, Raman spectroscopy, laser radar, precision measurement, and other advanced scientific and industrial applications.



Note:
Specifications subject to change without notice.