

ZNA-D Series

LD PUMPED ALL-SOLID-STATE LASER



Phanos Scientific
office@phanosci.com
www.phanosci.com



WE BRING TOMORROW'S
TECHNOLOGY. TODAY!

Model	ZNA-D-473-S (Harsh condition)	ZNA-D-473-N (Normal condition)
Wavelength (nm)	473±1	
Operating mode	CW	
Output power (mW)	1-50	
Power stability (rms, over 4 hours)	<3%, <2%	
Transverse mode	TEM ₀₀	
M ² factor	<1.2	
Beam diameter at the aperture (1/e ² , mm)	<1.0	
Beam divergence, full angle (mrad)	<1.5	
Polarization ratio	>100:1, Vertical (Horizontal Optional)	
Pointing stability after warm-up (mrad)	<0.05	
Pointing stability Over Temp. (μrad/°C)	<8	
Warm-up time (minutes)	<5	
Beam height from base plate (mm)	19	
Power Consumption(W)	<30	
Shock Tolerance(6ms)	7g laterally, 15g vertically	
IP Rating	IP67	IP65

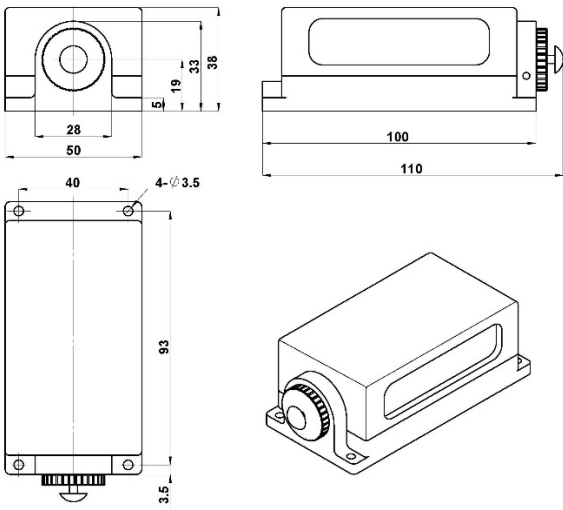
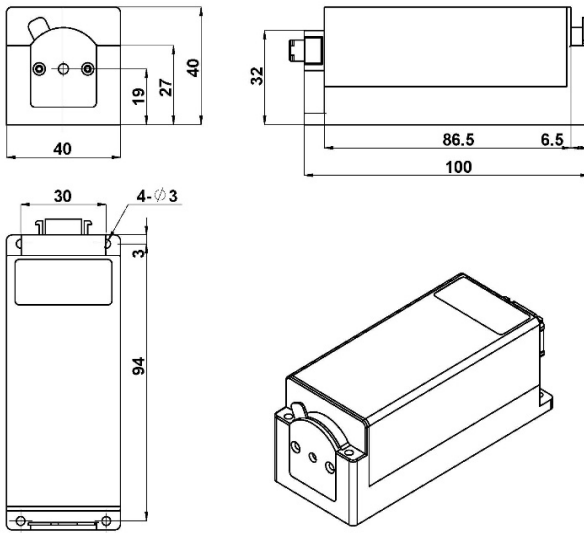
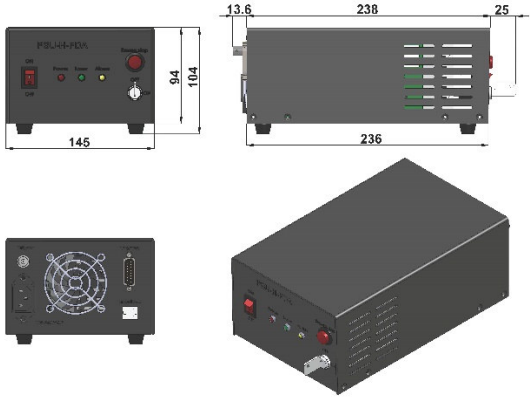
Product Details | ZNA-D Series

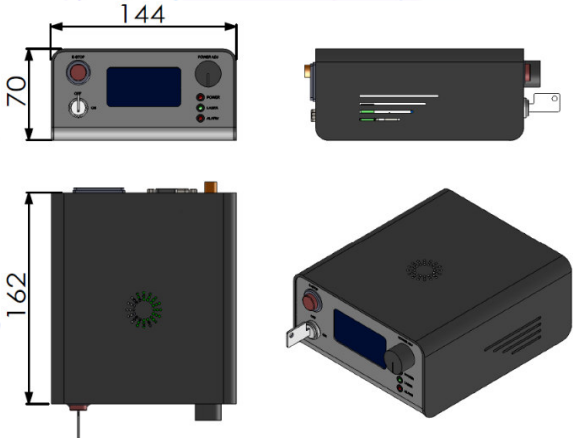
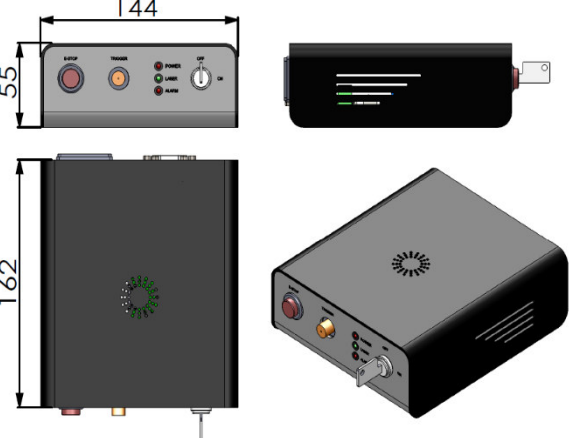
LD PUMPED ALL-SOLID-STATE LASER



Power supply(90-264VAC)	QDI-J-GFS	QDI-S-F/ QDI-S-G
Operating temperature (°C)	0-60	10-35
Max. Heat Dissipation of Head(W)	10W@50°C	4W@25°C
Modulation optional	TTL on/off, 1Hz-1KHz, 1KHz-10KHz, 10KHz-30KHz; and Analog modulation optional	
Expected lifetime (hours)	10000	
Warranty	1 year	

The all-solid-state laser features high output power stability, an excellent beam profile, an ultra-compact and small-size design, wide operating temperature range, robust sealing, extended operational lifetime, cost-effectiveness, and ease of operation. It is capable of operating under a pressure of 0.02 kPa and is extensively utilized in applications such as collimation, laser-based medical treatments, scientific experimentation, optical instrumentation, laser displays, and laser light shows.

LASER HEAD (Harsh condition)	LASER HEAD (Normal condition)	POWER SUPPLY (QDI-J-GFS)
 <p data-bbox="331 1252 604 1284">110(L)×50(W)×38(H) mm³, 0.6 kg</p>	 <p data-bbox="958 1252 1232 1284">100 (L) ×40 (W) ×40(H) mm³, 0.36kg</p>	 <p data-bbox="1568 1252 1892 1284">276.6(L) ×145(W) ×103.6(H) mm³, 2.3 kg</p>

POWER SUPPLY (QDI-S-F)	POWER SUPPLY (QDI-S-G)	
 <p>162 (L) × 144(W) × 70(H) mm³, 0.6kg</p>	 <p>162(L) × 144(W) × 55(H) mm³, 0.5kg</p>	

Note:

1. Specifications subject to change without notice.
2. The laser head needs to be used on a heat sink with good heat dissipation.