

ZNA-DG-434

LD PUMPED ALL-SOLID-STATE BLUE LASER

Phanos Scientific
office@phanosci.com
www.phanossci.com



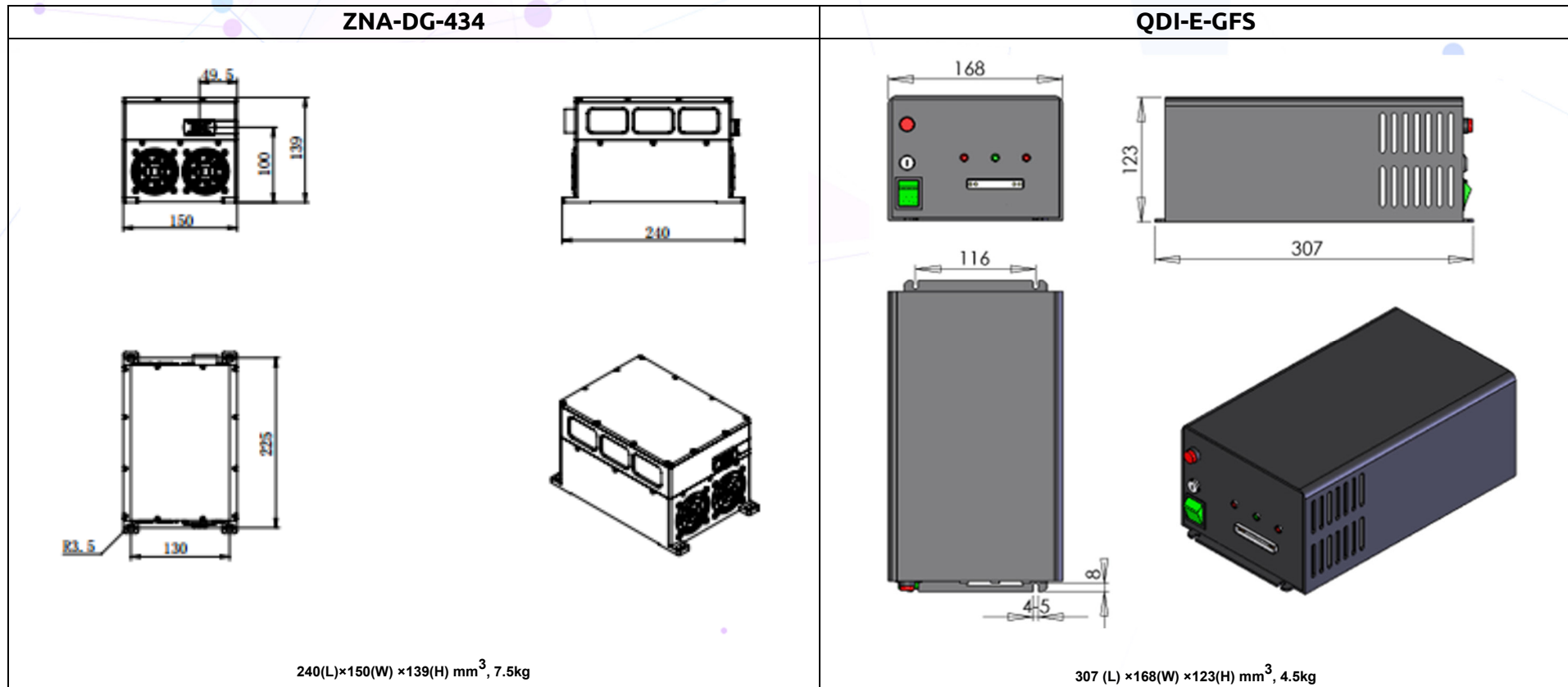
WE BRING TOMORROW'S
TECHNOLOGY. TODAY!

Wavelength (nm)	434±1
Operating mode	CW
Output power (mW)	>1, 10, 20, ...,100
Power stability (rms, over 4 hours)	<3%, <5%,
Transverse mode	Near TEM ₀₀
Beam divergence, full angle (mrad)	<2
Beam diameter at the aperture (1/e ² , mm)	~5
Polarization ratio	>100:1
Beam height from base plate (mm)	100
Warm-up time (minutes)	<10
Operating temperature (°C)	15~30
Power supply (90-264VAC)	QDI-E-GFS
Expected lifetime (hours)	10000
Warranty period	1 year

Product Drawings | ZNA-DG-434

LD PUMPED ALL-SOLID-STATE BLUE LASER

This all-solid-state 434 nm blue laser features an ultra-compact design, extended operational lifetime, low cost, and ease of operation. It is utilized in applications such as laser displays, medical treatments, and scientific research.



Note:
Specifications subject to change without notice.