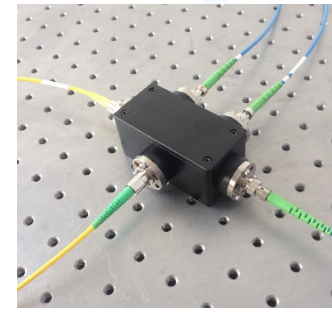
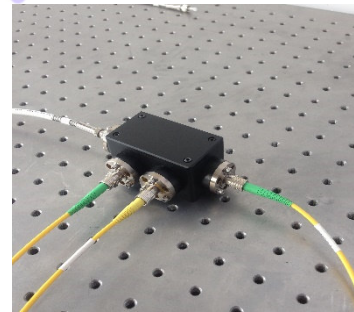
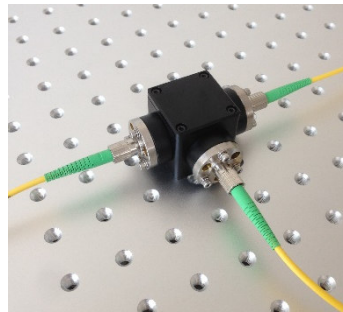


GNV

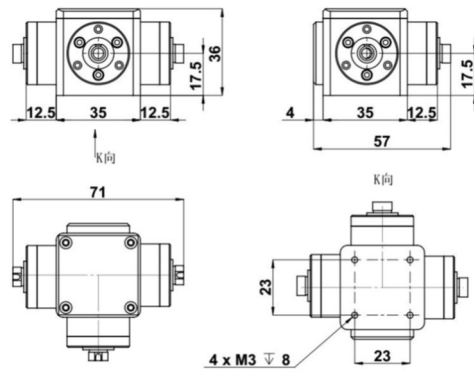
FIBER BEAM COMBINATOR



Input fiber connections(nm)	320-1550
Input channel quantity	2, 3, 4
Power throughput per channel¹	>60% (Single fiber), >70% (Multi film fiber)
Maximum power per channel(mW)	100
Maximum total output power(mW)	<500
Fiber connector type	FC/PC, FC/APC, SMA905
Fiber type	Single fiber, Polarization-maintaining fiber, Multi film fiber (50 um, 100 um, 200 um)
Long-term power throughput (8hours, ±3°C)	>95%
Optional laser type	All our laser
Expected lifetime (hours)	10000
Warranty	1 year

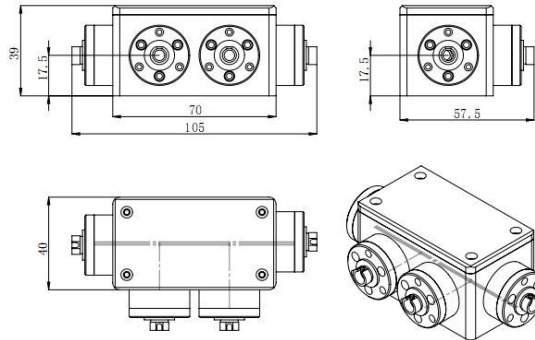
Fiber combiners merge the output of multiple independent lasers into a single-mode fiber. This combiner greatly simplifies the use of lasers in multi-wavelength applications, meeting more user needs simultaneously.

GNV-2



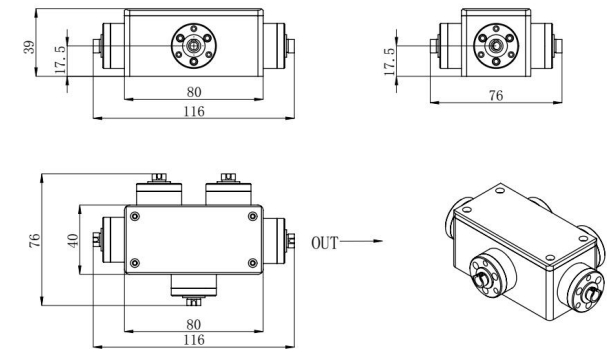
71(L)×57(W) ×36(H) mm³, 0.2kg

GNV-3



105(L)×57.5(W) ×39(H) mm³, 0.3kg

GNV-4



116(L)×76(W) ×39(H) mm³, 0.3kg

Note:
Specifications subject to change without notice.