

RP-1047-M

Q-switched laser at 1047nm



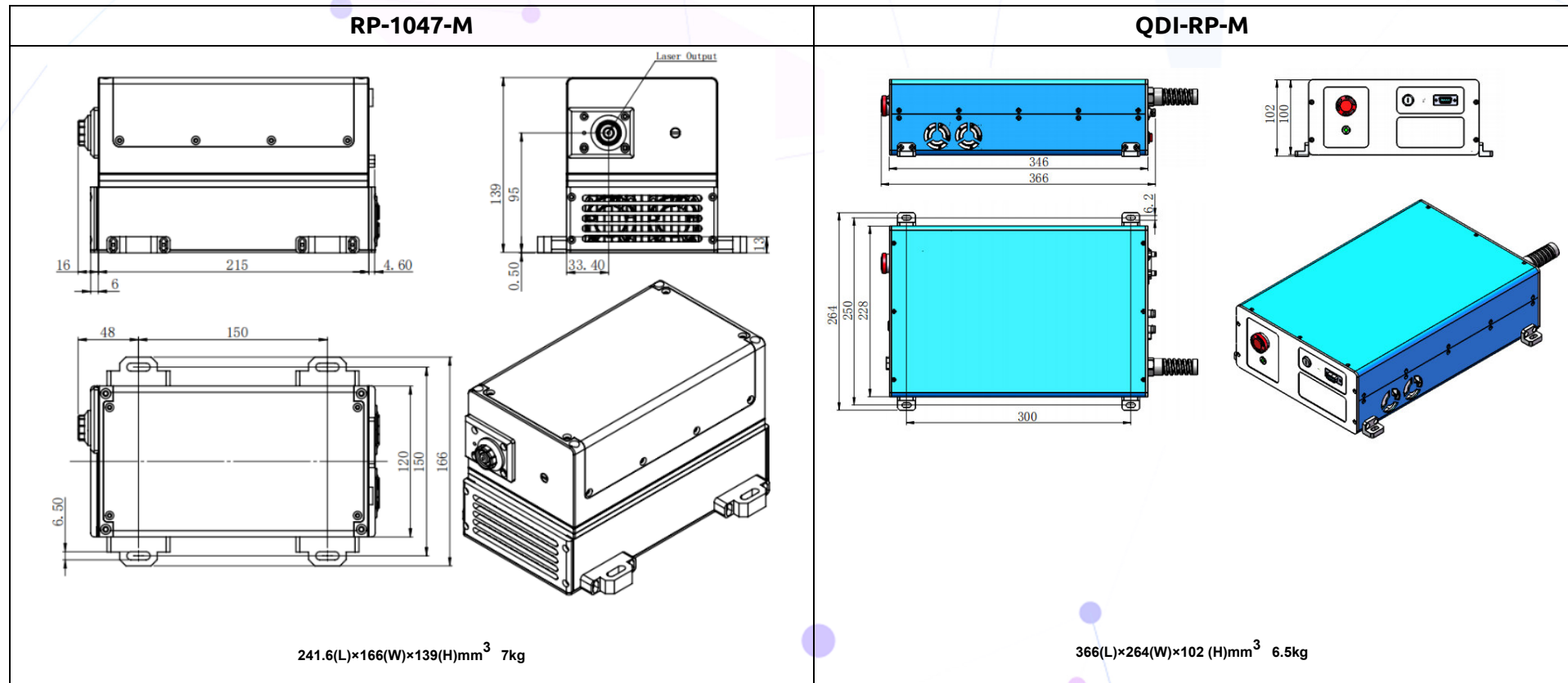
Product Details | **RP-1047-M** HIGH ENERGY DIODE PUMPED ALL-SOLID-STATE Q-SWITCHED LASER

Wavelength (nm)	1047±1nm	
Operating mode	Q-switched: EO (Electro-optic)	
Single pulse energy (uJ)	2000uJ@100Hz	200uJ@1KHz
Output power (mW)	200mW@100Hz	200mW@1KHz
Power stability	<5%	
Pulse duration (ns)	<10ns@100Hz	
Rep. rate (Hz)	100Hz~1KHz	
Beam diameter (mm)	~1mm	
Beam divergence, full angle (mrad)	<3mrad	
Cooled method	Air cooled	
Warm-up time (minutes)	<15	
Power supply	AC 220V/DC 24V	
Operating temperature (°C)	15~30	
Expected lifetime (hours)	10000h	
Warranty period	1 year	

Product Drawings | RP-1047-M

HIGH ENERGY DIODE PUMPED ALL-SOLID-STATE Q-SWITCHED LASER

A high-energy, diode-pumped, all-solid-state Q-switched laser operating at 1047 nm features high single-pulse energy, short pulse duration, and high peak power. It is widely used in applications such as topography measurement, marking, ranging, microprocessing, and scientific research, among others.



Note: Specifications subject to change without notice.